

Model ES1530L

LIGHT WEIGHT ELECTRIC SCISSOR LIFTS



MORE ECONOMIC

- Electric power for zero emissions and near-silent running indoors.

MORE PRODUCTIVE

- Boost efficiency with direct electric drive.

MORE ACCESS

- Get into more places with compact dimensions and precise control system.

SMART DESIGN

- Enjoy industry leading upcycles so you can work longer with higher productivity.



Standard Features

- Proportional Controls
- Battery Condition Indicator
- All Motion Alarm
- 27 amp Multi-Function Universal Charger
- Horn
- Hourmeter
- Tilt Alarm and Light
- Lanyard Attach Points
- Movable, Removable Platform Control
- Nickel Plated Pins
- Lubrication Free Scissor Arm Bushings
- Scissor Maintenance Prop
- Coiled Platform Control Box Cable
- Flashing Amber Beacon
- Green Power Charger
- 22 in. (55 cm) Foot-Actuated Deck Extension
- Removable Ladder

Standard Specifications

- Tyres (Non-Marking Solid)
- Brakes
- Drive
- Batteries
- Charger (120/240V – 50/60HZ)
- Pump
- Capacity
- 255 x 75 mm Electric/Friction
- 24V Electric
- 2 x 12V 105 amp-hr
- 27 amp (Universal Algorithm)
- Fixed Displacement Gear
- 5 L

Accessories & Options

- Ambient Noise Alarm
- Batteries (220AH - AGM)
- Anti-Vandalism PKG
- MDI (Ground)
- Drive Motor Covers
- AC Receptacle in Platform
- Active Pothole Protection System
- Lifting and Tie Down Points
- Fork Lift Pockets
- Steel Swing-Out Doors
- Variable Tilt Window
- Manual Descent Cable
- Diamond Tread Steel Deck
- Greaseless Kingpin Joints
- Analyzer Port for Diagnostics
- Dynamic Braking

Model ES1530L

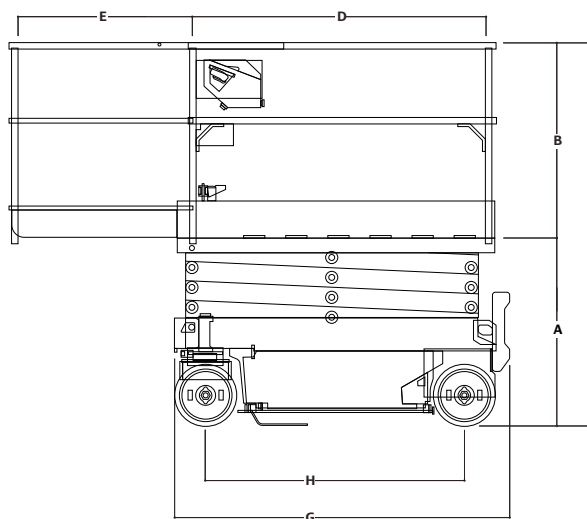
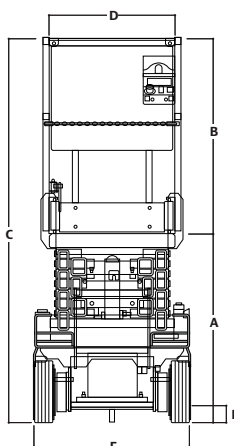
LIGHT WEIGHT ELECTRIC SCISSOR LIFTS

Performance

• Working Height	6.5 m
• Platform Height – Elevated	4.5 m
A. Platform Height – Lowered	0.79 m
B. Platform Railing Height	1.1 m
C. Overall Height	1.9 m
D. Platform Size (W x L)	0.62 m x 1.25 m
E. Platform Extension	55 cm
F. Overall Width	76 cm
G. Overall Length	1.43 m
H. Wheelbase	1.08 m
I. Ground Clearance	6 cm
• Platform Capacity	227 kg
• Capacity on Platform Extension	115 kg
• Lift/Lower Time	25/15 seconds
• Maximum Drive Height	Fully Elevated
• Machine weight	880 kg
• Ground Bearing Pressure	8.1 kg/cm ²
• Drive Speed – Lowered	3.8 km/h
• Drive Speed – Elevated	0.8 km/h
• Gradeability	25%
• Turning Radius – Inside	Zero
• Turning Radius – Outside	1.4 m

* Certain options or country standards will increase weight.

Dimensions



All dimensions are approximate.

IMPORTANT

JLG is continually researching and developing products and reserves the right to make modifications without prior notice. All data in this document is indicative. Certain options or country standards will increase weight. Specifications may change to meet country standards or with the addition of optional equipment.

Due to continuous product improvements, JLG Industries reserves the right to make specification and/or equipment changes without prior notification.



JLG EMEA BV

Polaris Avenue 63
2132 JH Hoofddorp
The Netherlands
Phone: +31 (0)23 565 5665
www.jlg.com

An Oshkosh Corporation Company